



Part no.: 53800135
BT856M
Mounting bracket

Figure can vary

Contents

- Technical data
- Dimensioned drawings

Part no.: 53800135 – BT856M – Mounting bracket

Technical data

Basic data

Application	Mounting on non-chamfered 90° corner
Suitable for	RSL 400 safety laser scanner

Mechanical data

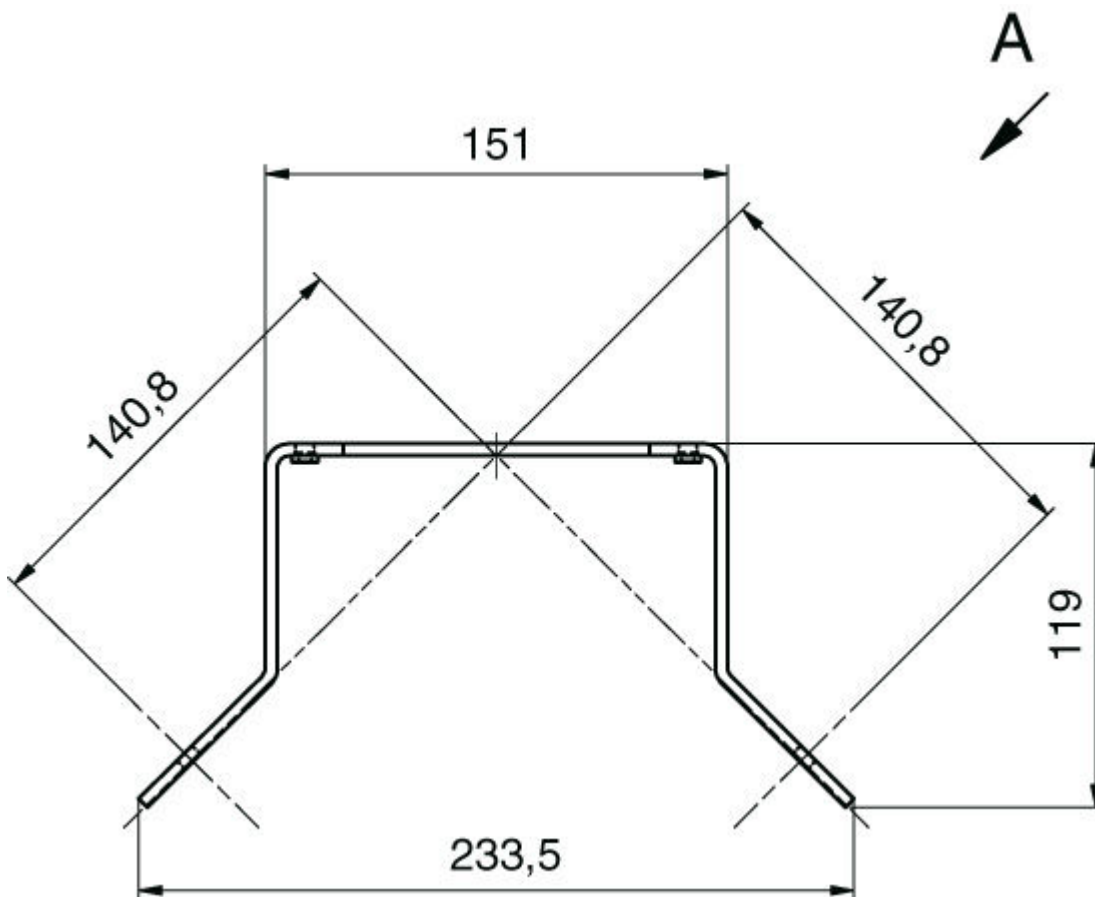
Dimension (W x H x L)	119 mm x 72 mm x 233.5 mm
Net weight	1,248 g
Housing color	Yellow, RAL 1021
Type of fastening, at system	Through-hole mounting
Type of fastening, at device	Screw type
Mounting device material	Metal

Classification

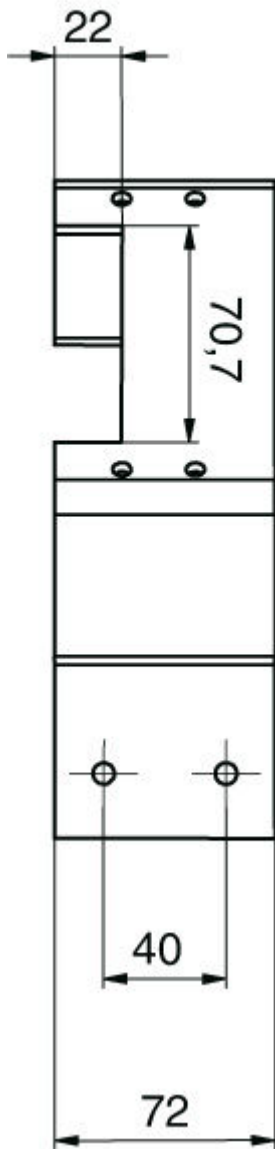
eCl@ss 8.0	27279202
eCl@ss 9.0	27273701

Dimensioned drawings

All dimensions in millimeters

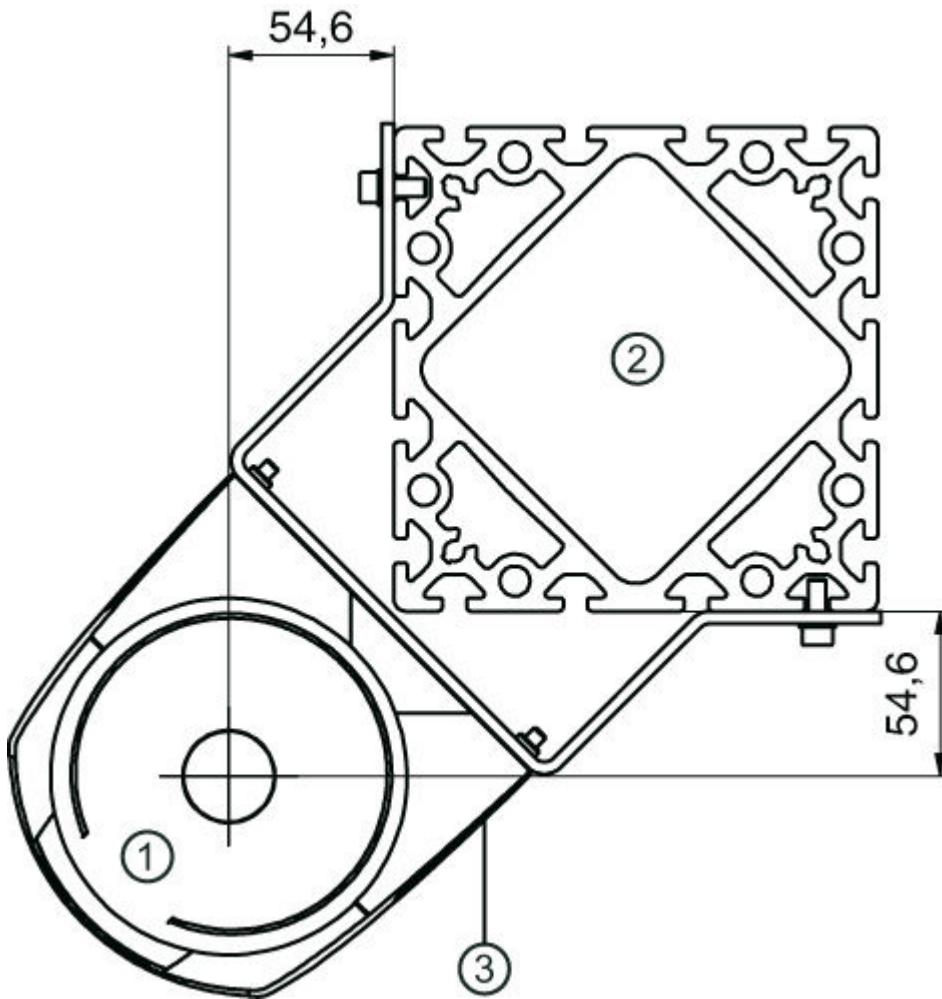


View A



Part no.: 53800135 – BT856M – Mounting bracket

Example: mounting on a post



- 1 Safety sensor
- 2 Column
- 3 BT856M mounting bracket